

# iCON 30

Stylish toilet, bathroom and utility room ventilation



## KEY FEATURES

- Mixed flow fan
- Flow rate up to 117 m<sup>3</sup>/h
- Recess or surface mounting
- Different colour covers available
- Perfect for longer duct runs
- Unique iris shutter, prevents backdraughts, operates silently
- Interchangeable control modules match fan to installation requirements
- Circular design, no squaring up
- IPX4 rating
- Complies with Building Regulations
- 3 year warranty

## iCON 30

iCON 30 is quiet, powerful and designed for recessed or surface mounting in walls or ceilings in larger toilets, bathrooms and utility rooms.

iCON 30 is designed to provide ventilation levels that comply with the latest Building Regulations.

The iCON fan is an efficient, stylish and unique ventilation solution for the modern home. The shutter design makes switching on and off almost silent and helps reduce external noise ingress.

The slim profile and iris shutter of the iCON make it a fan which will blend discreetly into any setting.



## MODULES

See module functionality page

<b>72573602</b>	PCM	Pull cord
<b>72612601</b>	TM	Timer
<b>72687103</b>	DTM	Delayed timer with pull cord
<b>72687104</b>	HTM	Humidity timer with pull cord
<b>72687102</b>	PRTM	Motion sensor timer
<b>72675702</b>	PRHTM	Motion sensor with humidity timer
<b>72675703B</b>	2SHM	2 speed humidity with pull cord boost



## TECHNICAL DATA

Specification	iCON 30
Air flow [m <sup>3</sup> /h / l/s]	117 / 32
Fan type	mixed flow
Mounting position	wall / ceiling
Sound pressure @ 3 m [dB(A)]	33.3
Power [W]	15.5
Building regulations	compliant
Duct diameter [mm]	100
Supply voltage	230 V / 1ph / 50 Hz
Ingress protection rating	IPX4
Max ambient temperature [°C]	40
Weight [kg]	1.11
Dimensions H x W x D [mm]	225 x 225 x 144
Part number	<b>72591601</b>

## COVERS

<b>52634507</b>	Silver
<b>52634508</b>	Sandstone
<b>52634506</b>	Anthracite

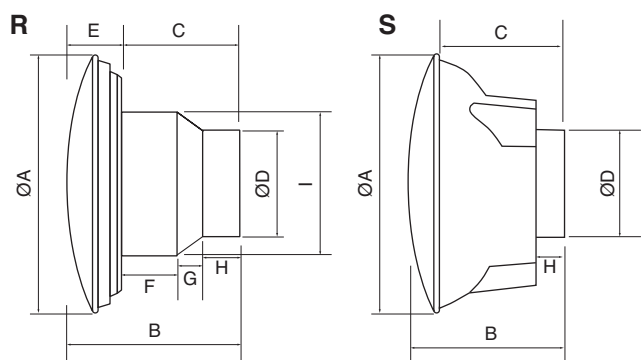


Silver

Sandstone

Anthracite

## DIMENSIONS (mm)

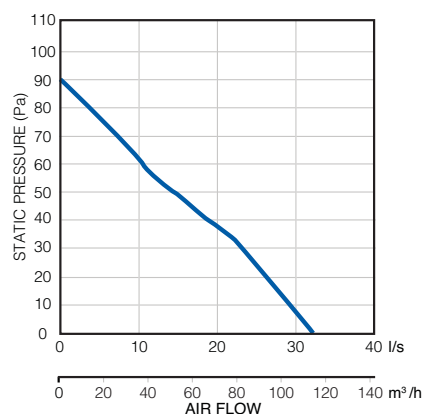


R = Recessed without skirt

S = Surface mounted with skirt

Model	A	B	C	D	E	F	G	H	I
iCON 30 (R)	225	144	101	97	43	51	20	30	148
iCON 30 (S)	225	144	92	97	-	-	-	29	-

## PERFORMANCE



## CONTROLS AND ACCESSORIES

A range of accessories including flexible and rigid ducting kits, controls, switches and grilles are available.

See accessories section for more details.

Call: 01494 525252

Visit: [airflow.com](http://airflow.com)



**Airflow Developments Limited**  
Aidelle House, Lancaster Road,  
Cressex Business Park,  
High Wycombe, Buckinghamshire,  
United Kingdom, HP12 3QP

E-mail: [info@airflow.com](mailto:info@airflow.com)  
Telephone: +44 (0) 1494 525252

[airflow.com](http://airflow.com)

© Airflow Developments Limited. Airflow Developments Limited reserve the right, in the interests of continuous development, to alter specifications without prior notice. All orders are accepted subject to our conditions of sale which are available on request



80000797 - Issue1 03/18